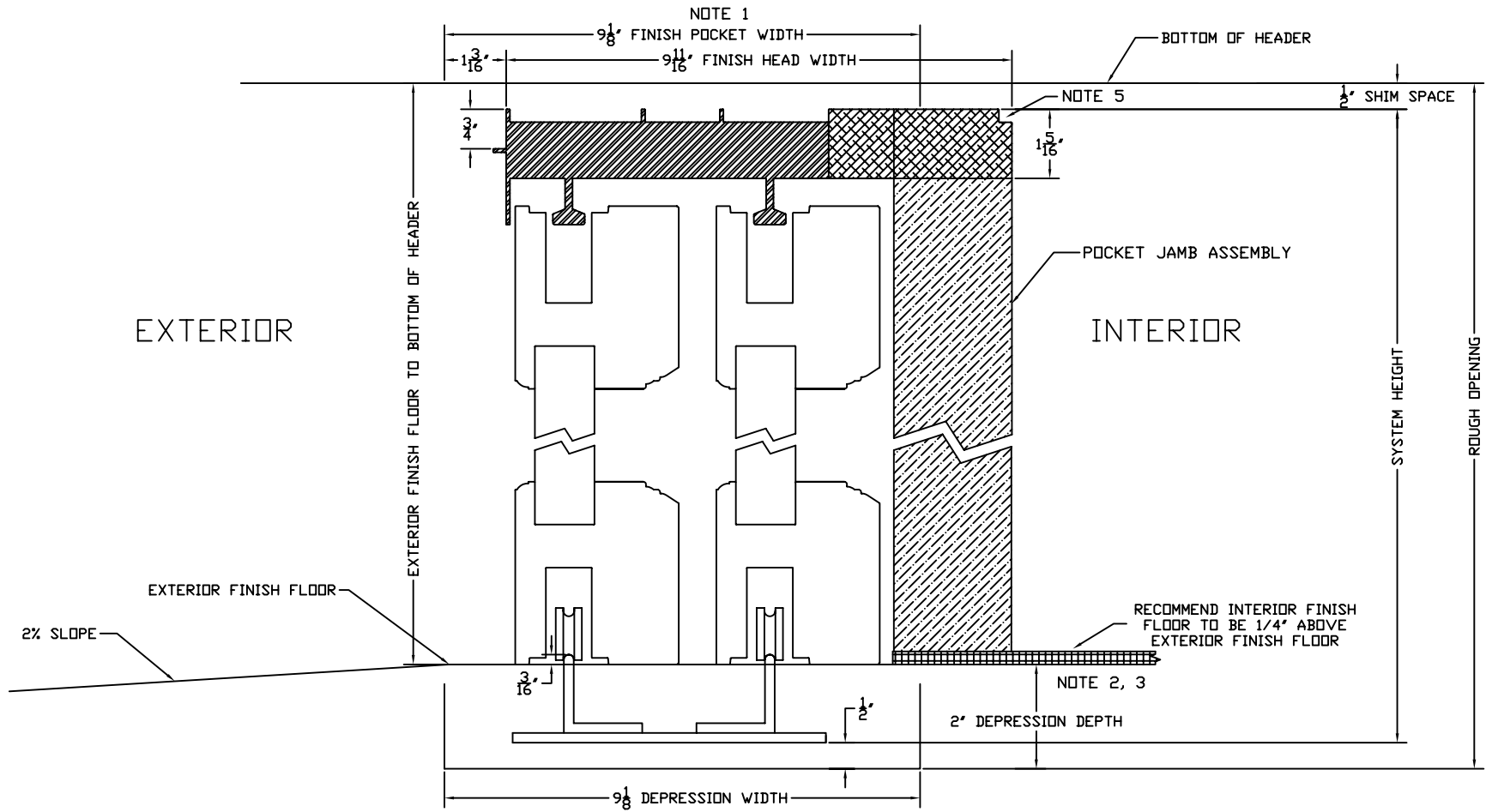


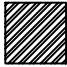


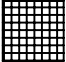
EXTERIOR ELEVATION

CUSTOMER APPROVAL BLOCK				TITLE		XXP 1 1/2" TRACK			
<input type="checkbox"/> APPROVED <input type="checkbox"/> APPROVED AS NOTED <input type="checkbox"/> DISAPPROVED RESUBMIT				SLIDING VISIONS		ARCHITECTURAL COLLECTION			
						DWN BY: AR		SCALE: NONE	REV.
						DATE: 02/13/07		DWG. NO.	
						CHK. BY: CMP		ALS-068	
APPD. BY: CMP		SHT. 1 OF 1		0					
SIGNED _____		DATE _____		*** All diagrams, drawings and other documents produced by Sliding Visions, Inc. are the sole property of Sliding Visions, Inc and under penalty of law, neither these documents nor the information they convey may be reproduced or transmitted to any third party without written consent.					



NOTES:

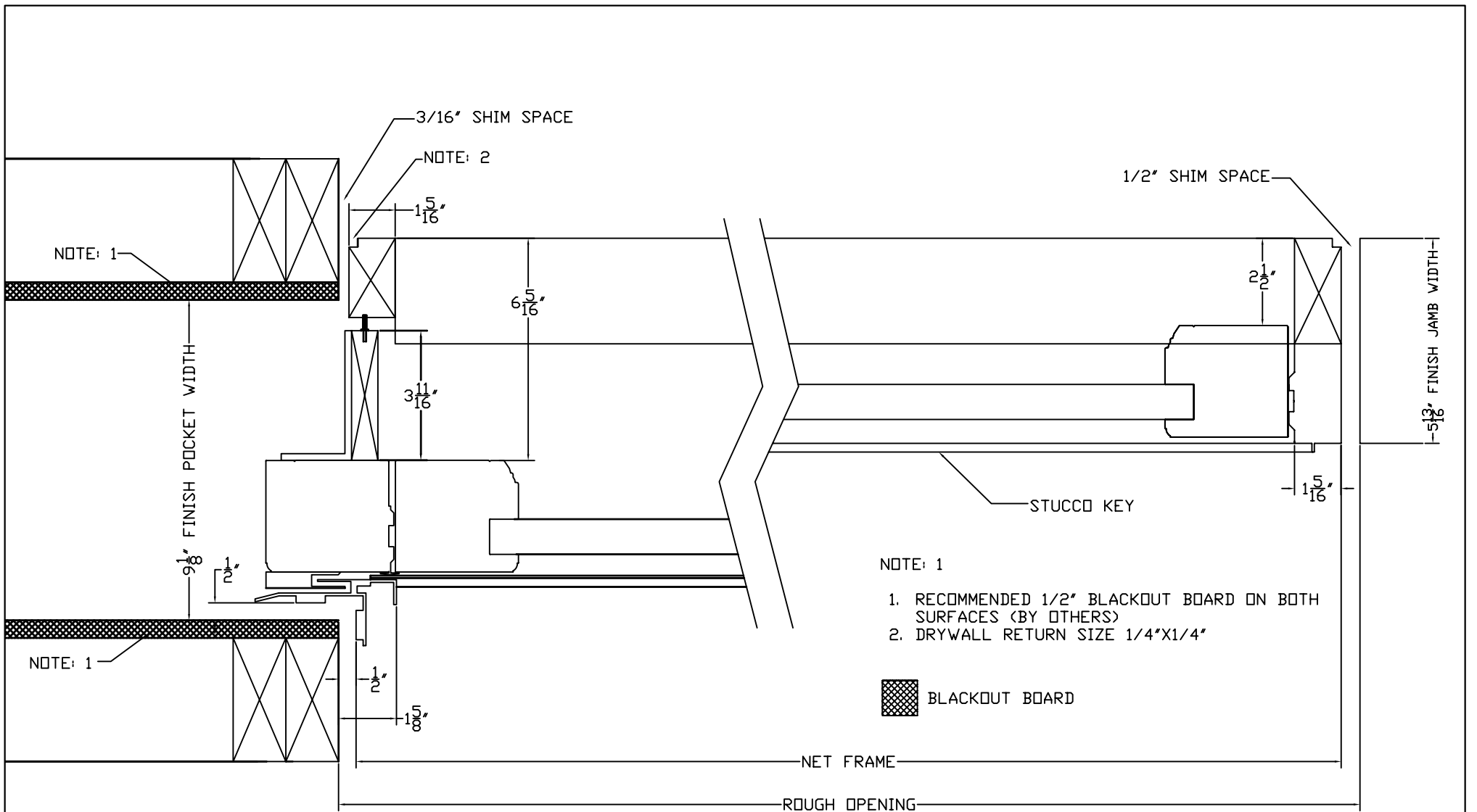
1. BLACKOUT BOARD ON BOTH INTERIOR SURFACES (BY CUSTOMER)
2. INCLUDES THICKNESS OF EXTERIOR FINISH FLOOR. FROM INTERIOR FINISH FLOOR ADD 1/4"
3. CUSTOMER IS REQUIRED TO DRY PACK TRACK DEPRESSION AFTER INSTALLATION BY DOOR CONTRACTOR
4. FINISH FLOOR BY OTHERS
5. DRYWALL RETURN SIZE 1/4"x1/4"
6. SEE SYSTEM ELEVATION DRAWING FOR ROUGH OPENING DIMENSIONS

	ALUMINUM		WOOD JAMB
	WOOD HEAD		INTERIOR FINISH

STANDARD DETAIL FOR INFORMATION ONLY

				SLIDING VISIONS			TITLE PXX 1 1/2" TRACK			
						DWN BY: AR		SCALE: NONE		REV.
						DATE: 10-16-06		DWG. NO. OVLS-D-014		0
						CHK. BY:				
						APPD. BY:		SHT. 1 OF 1		

*** All diagrams, drawings and other documents produced by Sliding Visions, Inc. are the sole property of Sliding Visions, Inc and under penalty of law, neither these documents nor the information they convey may be reproduced or transmitted to any third party without written consent.



- NOTE: 1
1. RECOMMENDED 1/2" BLACKOUT BOARD ON BOTH SURFACES (BY OTHERS)
 2. DRYWALL RETURN SIZE 1/4"X1/4"

 BLACKOUT BOARD

STANDARD DETAIL FOR INFORMATION ONLY

				TITLE PXX POCKET DETAIL			
				DWN BY: AR		SCALE: NONE	REV.
				DATE: 10-16-06		DWG. NO.	0
				CHK. BY:		OVLS-D-050	
				APPD. BY:		SHT. 1 OF 1	
NO.	DATE	DESCRIPTION	BY				
0		APPROVED FOR CONSTRUCTION					

*** All diagrams, drawings and other documents produced by Sliding Visions, Inc. are the sole property of Sliding Visions, Inc and under penalty of law, neither these documents nor the information they convey may be reproduced or transmitted to any third party without written consent.