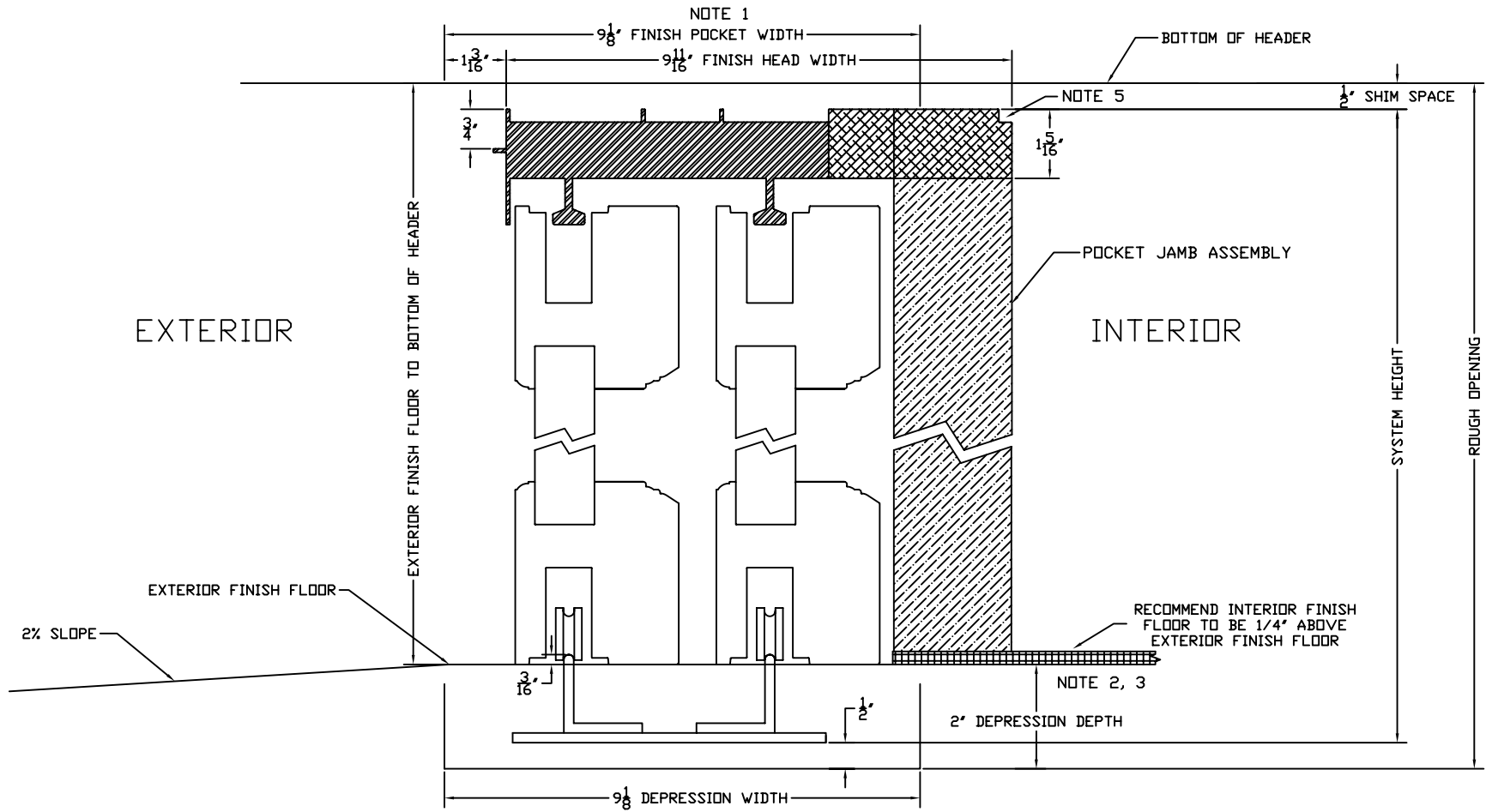


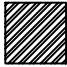


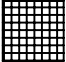
EXTERIOR ELEVATION

CUSTOMER APPROVAL BLOCK						TITLE XXP 1 1/2" TRACK			
<input type="checkbox"/> APPROVED <input type="checkbox"/> APPROVED AS NOTED <input type="checkbox"/> DISAPPROVED RESUBMIT						ARCHITECTURAL COLLECTION		REV.	
0		10-06				APPROVED FOR CONSTRUCTION		CMP	DWN BY: AR DATE: 02/13/07 SCALE: NONE DWG. NO.
NO.		DATE				DESCRIPTION		BY	CHK. BY: CMP APPD. BY: CMP SHT. 1 OF 1
SIGNED _____		DATE _____		*** All diagrams, drawings and other documents produced by Sliding Visions, Inc. are the sole property of Sliding Visions, Inc and under penalty of law, neither these documents nor the information they convey may be reproduced or transmitted to any third party without written consent.					



NOTES:

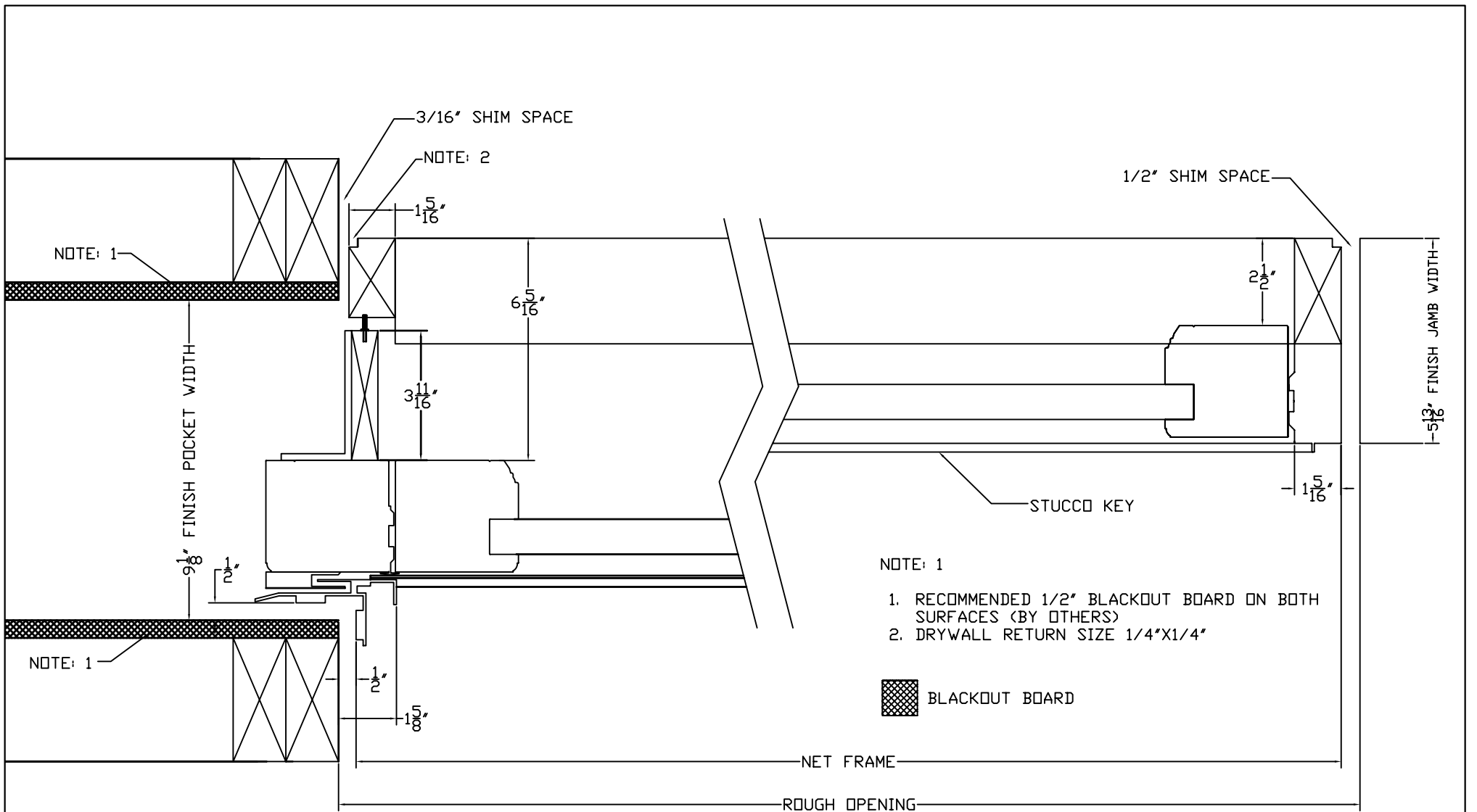
1. BLACKOUT BOARD ON BOTH INTERIOR SURFACES (BY CUSTOMER)
2. INCLUDES THICKNESS OF EXTERIOR FINISH FLOOR. FROM INTERIOR FINISH FLOOR ADD 1/4"
3. CUSTOMER IS REQUIRED TO DRY PACK TRACK DEPRESSION AFTER INSTALLATION BY DOOR CONTRACTOR
4. FINISH FLOOR BY OTHERS
5. DRYWALL RETURN SIZE 1/4"x1/4"
6. SEE SYSTEM ELEVATION DRAWING FOR ROUGH OPENING DIMENSIONS

	ALUMINUM		WOOD JAMB
	WOOD HEAD		INTERIOR FINISH

STANDARD DETAIL FOR INFORMATION ONLY

				SLIDING VISIONS		TITLE PXX 1 1/2" TRACK	
		APPROVED FOR CONSTRUCTION		DWN BY: AR		SCALE: NONE	
0				DATE: 10-16-06		DWG. NO. OVLS-D-014	
NO.		DATE		DESCRIPTION		BY	
						APPD. BY:	
						SHT. 1 OF 1	

*** All diagrams, drawings and other documents produced by Sliding Visions, Inc. are the sole property of Sliding Visions, Inc and under penalty of law, neither these documents nor the information they convey may be reproduced or transmitted to any third party without written consent.



- NOTE: 1
1. RECOMMENDED 1/2" BLACKOUT BOARD ON BOTH SURFACES (BY OTHERS)
 2. DRYWALL RETURN SIZE 1/4"X1/4"

 BLACKOUT BOARD

STANDARD DETAIL FOR INFORMATION ONLY

				SLIDING VISIONS		TITLE PXX POCKET DETAIL		
		APPROVED FOR CONSTRUCTION		DWN BY: AR		SCALE: NONE		REV.
0				DATE: 10-16-06		DWG. NO. OVLS-D-050		0
NO.	DATE	DESCRIPTION	BY	CHK. BY:		SHT. 1 OF 1		
				APPD. BY:				

*** All diagrams, drawings and other documents produced by Sliding Visions, Inc. are the sole property of Sliding Visions, Inc and under penalty of law, neither these documents nor the information they convey may be reproduced or transmitted to any third party without written consent.