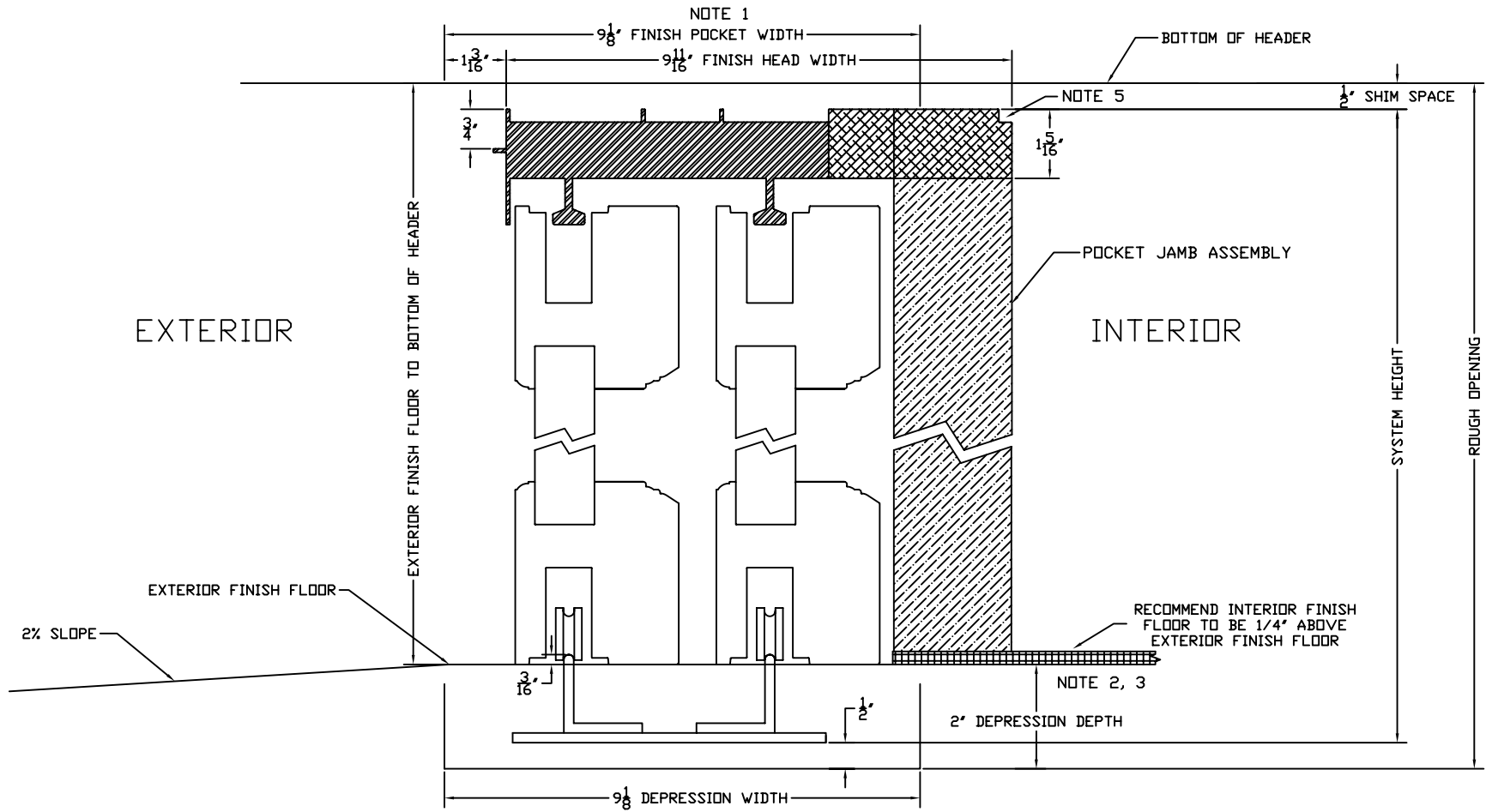


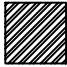


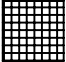
EXTERIOR ELEVATION

CUSTOMER APPROVAL BLOCK						TITLE XXP 1 1/2" TRACK			
<input type="checkbox"/> APPROVED <input type="checkbox"/> APPROVED AS NOTED <input type="checkbox"/> DISAPPROVED RESUBMIT						ARCHITECTURAL COLLECTION			
0		10-06				APPROVED FOR CONSTRUCTION		SCALE: NONE	
NO.		DATE				DESCRIPTION		BY	
SIGNED _____ DATE _____				*** All diagrams, drawings and other documents produced by Sliding Visions, Inc. are the sole property of Sliding Visions, Inc and under penalty of law, neither these documents nor the information they convey may be reproduced or transmitted to any third party without written consent.		DWN BY: AR		REV.	
						DATE: 02/13/07			
						CHK. BY: CMP		DWG. NO.	
						APPD. BY: CMP		ALS-028	
						SHT. 1 OF 1		0	



NOTES:

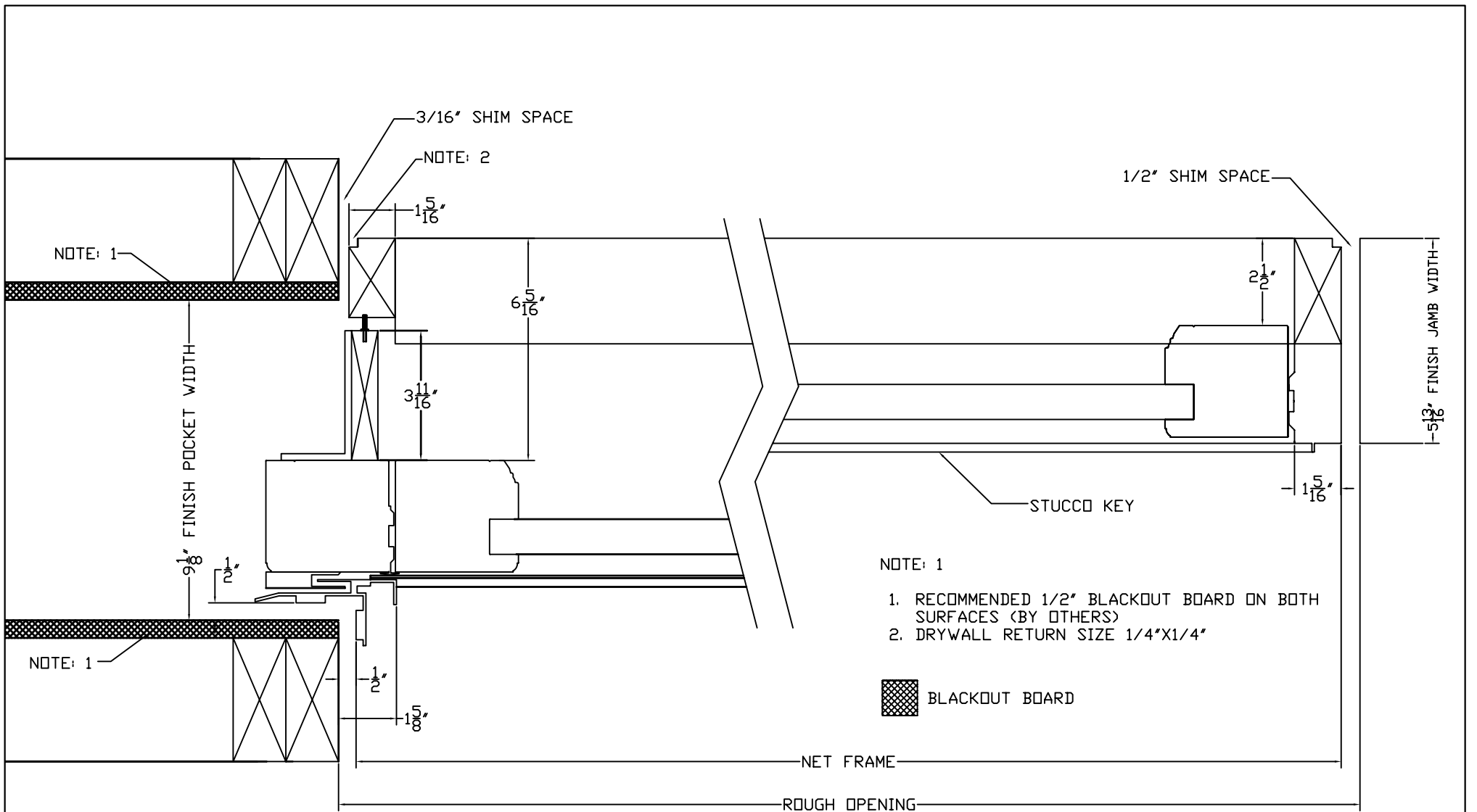
1. BLACKOUT BOARD ON BOTH INTERIOR SURFACES (BY CUSTOMER)
2. INCLUDES THICKNESS OF EXTERIOR FINISH FLOOR. FROM INTERIOR FINISH FLOOR ADD 1/4"
3. CUSTOMER IS REQUIRED TO DRY PACK TRACK DEPRESSION AFTER INSTALLATION BY DOOR CONTRACTOR
4. FINISH FLOOR BY OTHERS
5. DRYWALL RETURN SIZE 1/4"x1/4"
6. SEE SYSTEM ELEVATION DRAWING FOR ROUGH OPENING DIMENSIONS

	ALUMINUM		WOOD JAMB
	WOOD HEAD		INTERIOR FINISH

STANDARD DETAIL FOR INFORMATION ONLY

				SLIDING VISIONS			TITLE PXX 1 1/2" TRACK			
						DWN BY: AR		SCALE: NONE		REV.
						DATE: 10-16-06		DWG. NO.		0
						CHK. BY:		OVLS-D-014		
						APPD. BY:		SHT. 1 OF 1		
NO.	DATE	DESCRIPTION		BY						

*** All diagrams, drawings and other documents produced by Sliding Visions, Inc. are the sole property of Sliding Visions, Inc and under penalty of law, neither these documents nor the information they convey may be reproduced or transmitted to any third party without written consent.



STANDARD DETAIL FOR INFORMATION ONLY

				TITLE PXX POCKET DETAIL			
				DWN BY: AR		SCALE: NONE	REV.
				DATE: 10-16-06		DWG. NO.	0
				CHK. BY:		OVLS-D-050	
				APPD. BY:		SHT. 1 OF 1	
NO.	DATE	DESCRIPTION	BY	SLIDING VISIONS			
0		APPROVED FOR CONSTRUCTION					

*** All diagrams, drawings and other documents produced by Sliding Visions, Inc. are the sole property of Sliding Visions, Inc and under penalty of law, neither these documents nor the information they convey may be reproduced or transmitted to any third party without written consent.