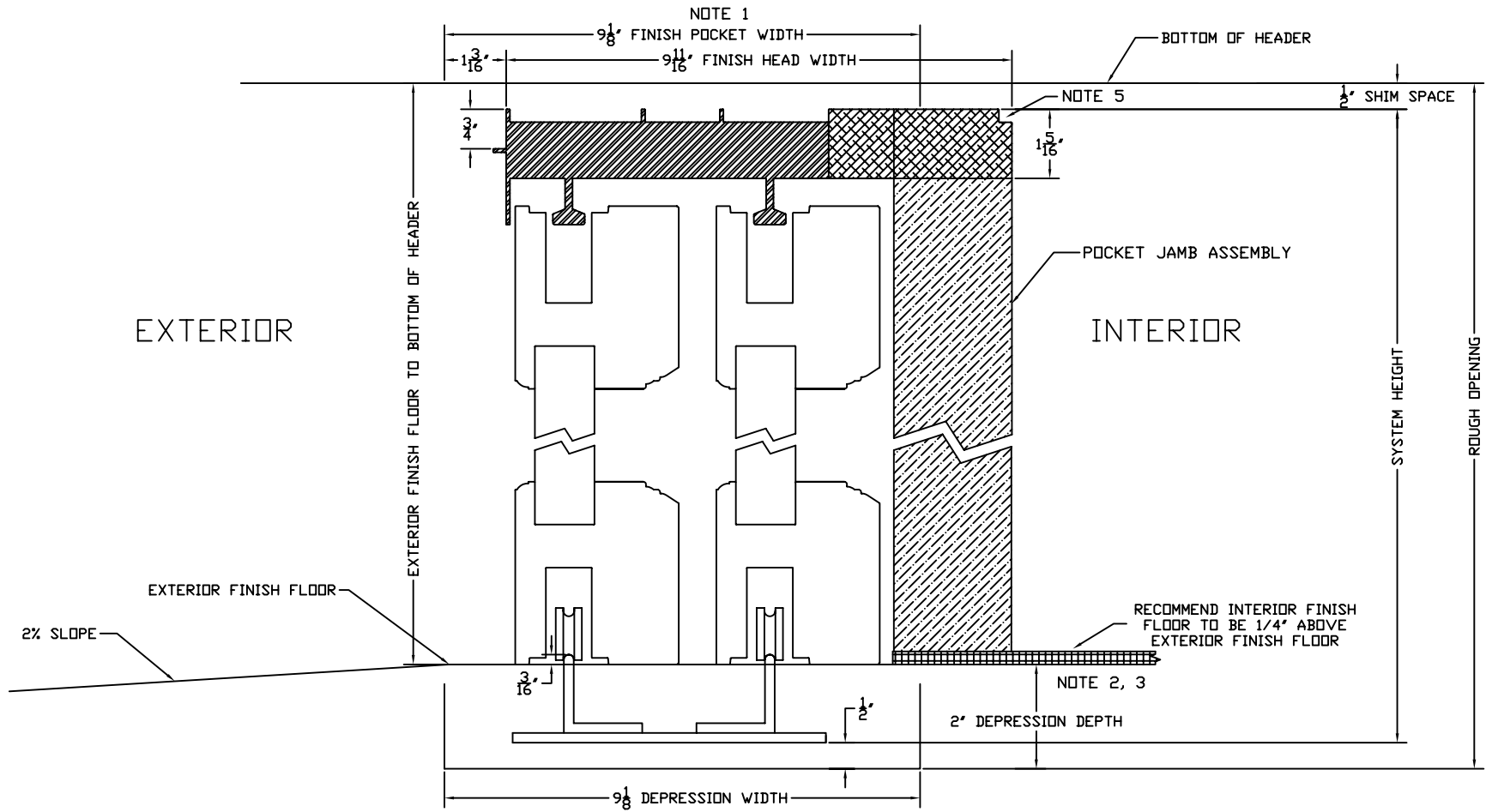


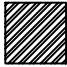


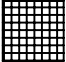
EXTERIOR ELEVATION

CUSTOMER APPROVAL BLOCK						TITLE PXXXXP 1 1/2" TRACK					
<input type="checkbox"/> APPROVED <input type="checkbox"/> APPROVED AS NOTED <input type="checkbox"/> DISAPPROVED RESUBMIT						ARCHITECTURAL COLLECTION					
0		10-06				APPROVED FOR CONSTRUCTION		DWN BY: AR		SCALE: NONE	REV.
NO.		DATE				DESCRIPTION		BY		DATE: 02-14-07	DWG. NO. ALS-014
SIGNED _____ DATE _____				*** All diagrams, drawings and other documents produced by Sliding Visions, Inc. are the sole property of Sliding Visions, Inc and under penalty of law, neither these documents nor the information they convey may be reproduced or transmitted to any third party without written consent.		CHK. BY: CMP		SHT. 1 OF 1		0	



NOTES:

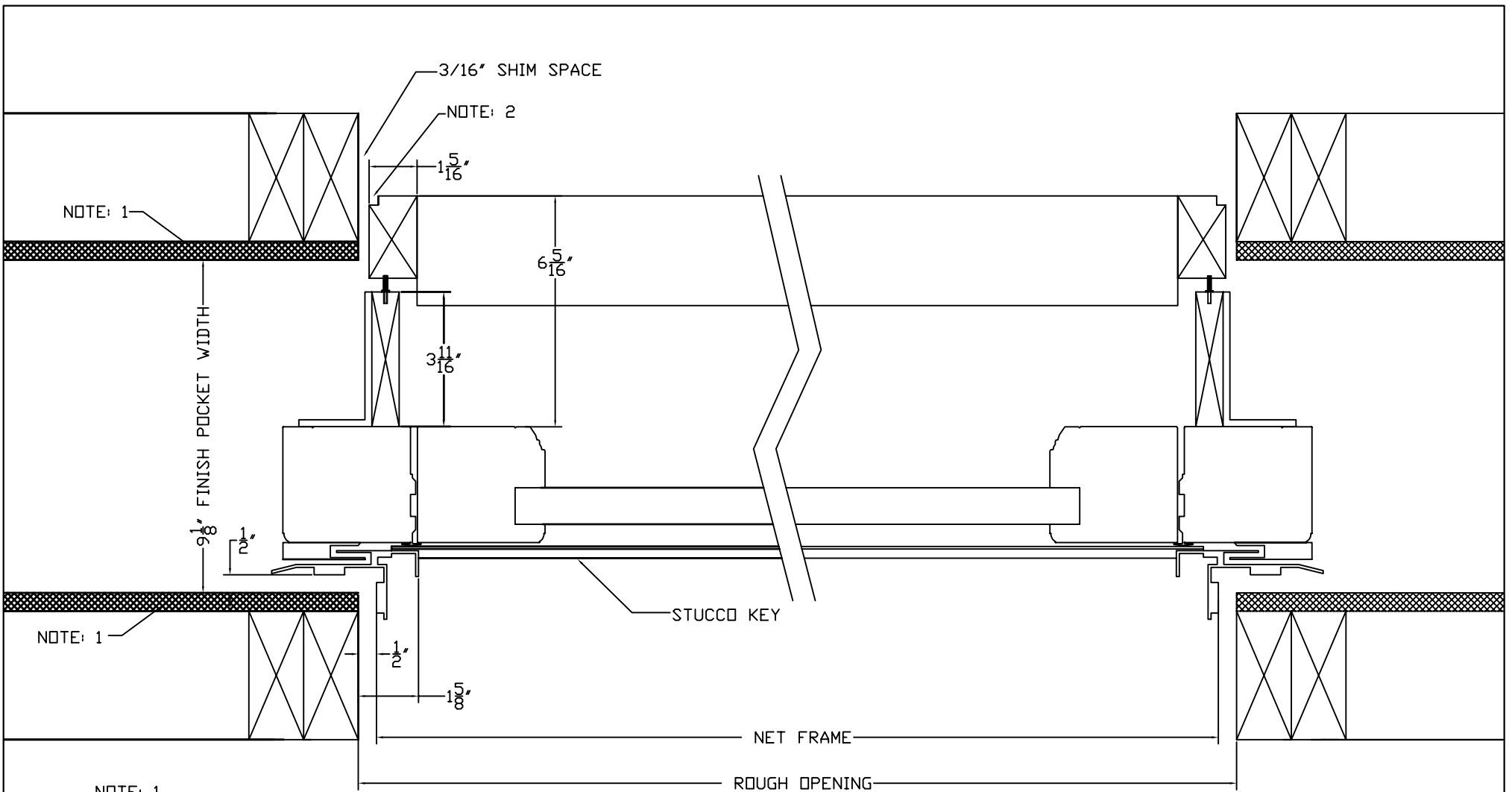
1. BLACKOUT BOARD ON BOTH INTERIOR SURFACES (BY CUSTOMER)
2. INCLUDES THICKNESS OF EXTERIOR FINISH FLOOR. FROM INTERIOR FINISH FLOOR ADD 1/4"
3. CUSTOMER IS REQUIRED TO DRY PACK TRACK DEPRESSION AFTER INSTALLATION BY DOOR CONTRACTOR
4. FINISH FLOOR BY OTHERS
5. DRYWALL RETURN SIZE 1/4"x1/4"
6. SEE SYSTEM ELEVATION DRAWING FOR ROUGH OPENING DIMENSIONS

	ALUMINUM		WOOD JAMB
	WOOD HEAD		INTERIOR FINISH

STANDARD DETAIL FOR INFORMATION ONLY

				SLIDING VISIONS		TITLE PXX 1 1/2" TRACK	
		APPROVED FOR CONSTRUCTION		DWN BY: AR		SCALE: NONE	
0				DATE: 10-16-06		DWG. NO. OVLS-D-014	
NO.		DATE		DESCRIPTION		BY	
						APPD. BY:	
						SHT. 1 OF 1	

*** All diagrams, drawings and other documents produced by Sliding Visions, Inc. are the sole property of Sliding Visions, Inc and under penalty of law, neither these documents nor the information they convey may be reproduced or transmitted to any third party without written consent.



NOTE: 1

1. RECOMMENDED 1/2" BLACKOUT BOARD ON BOTH SURFACES (BY OTHERS)
2. DRYWALL RETURN SIZE 1/4"X1/4"

 BLACKOUT BOARD

STANDARD DETAIL FOR INFORMATION ONLY

				TITLE PXX POCKET DETAIL		
				SLIDING VISIONS		REV.
				DWN BY: AR		SCALE: NONE
				DATE: 10-16-06		DWG. NO.
				CHK. BY:		OVLS-D-075
				APPD. BY:		SHT. 1 OF 1
NO.	DATE	DESCRIPTION	BY			
0		APPROVED FOR CONSTRUCTION				

*** All diagrams, drawings and other documents produced by Sliding Visions, Inc. are the sole property of Sliding Visions, Inc and under penalty of law, neither these documents nor the information they convey may be reproduced or transmitted to any third party without written consent.