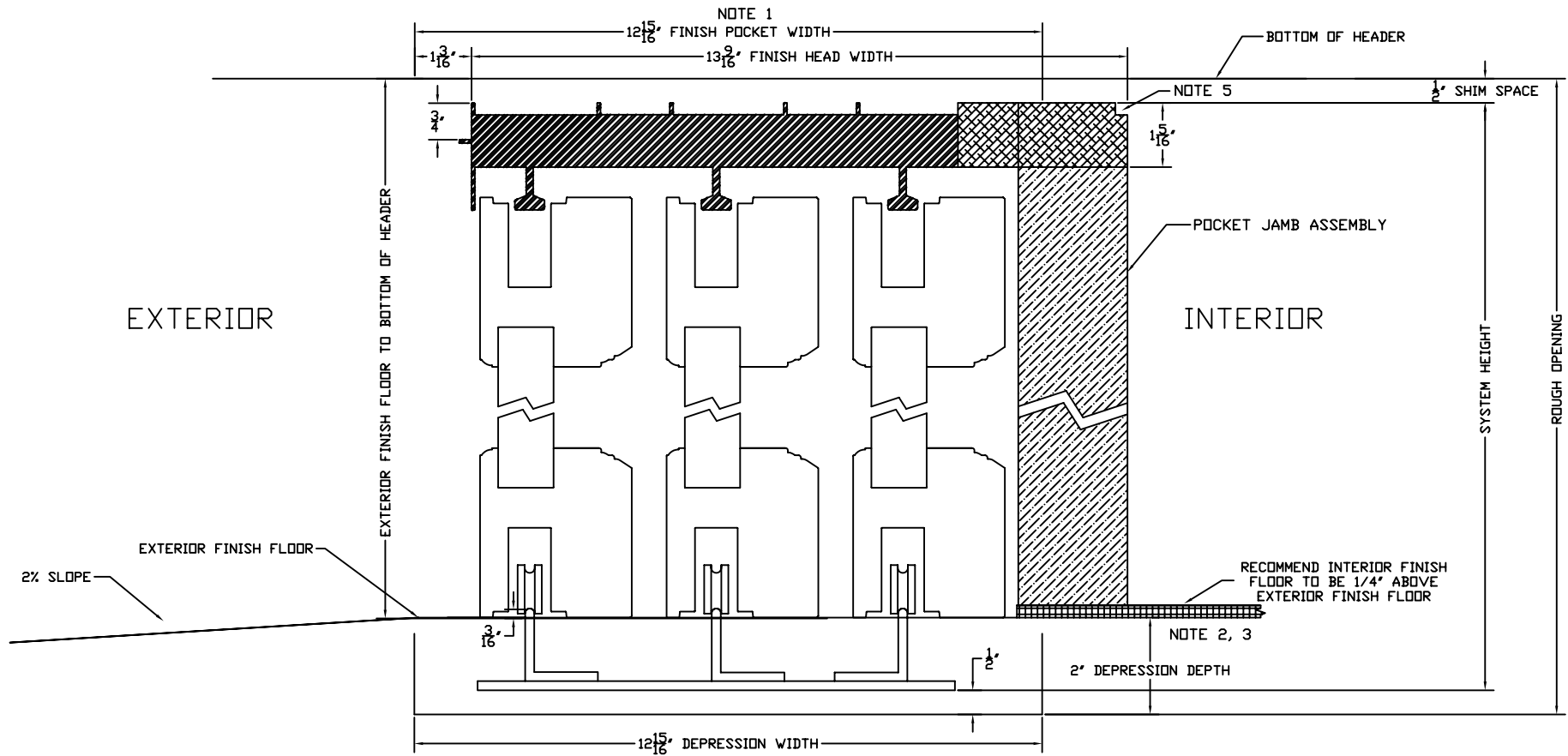


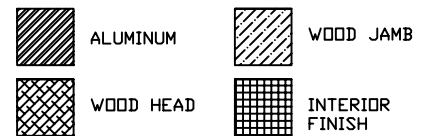
EXTERIOR ELEVATION

CUSTOMER APPROVAL BLOCK						TITLE		PXXX 1 1/2" TRACK	
<input type="checkbox"/> APPROVED <input type="checkbox"/> APPROVED AS NOTED <input type="checkbox"/> DISAPPROVED RESUBMIT						ARCHITECTURAL COLLECTION			
SIGNED _____ DATE _____		0 10-06 APPROVED FOR CONSTRUCTION		CMP		DWN BY: AR DATE: 02/13/07		SCALE: NONE DWG. NO. ALS-062	
		NO. DATE DESCRIPTION BY				CHK. BY: CMP APPD. BY: CMP		REV. 0 SHT. 1 OF 1	
*** All diagrams, drawings and other documents produced by Sliding Visions, Inc. are the sole property of Sliding Visions, Inc and under penalty of law, neither these documents nor the information they convey may be reproduced or transmitted to any third party without written consent.									



NOTES:

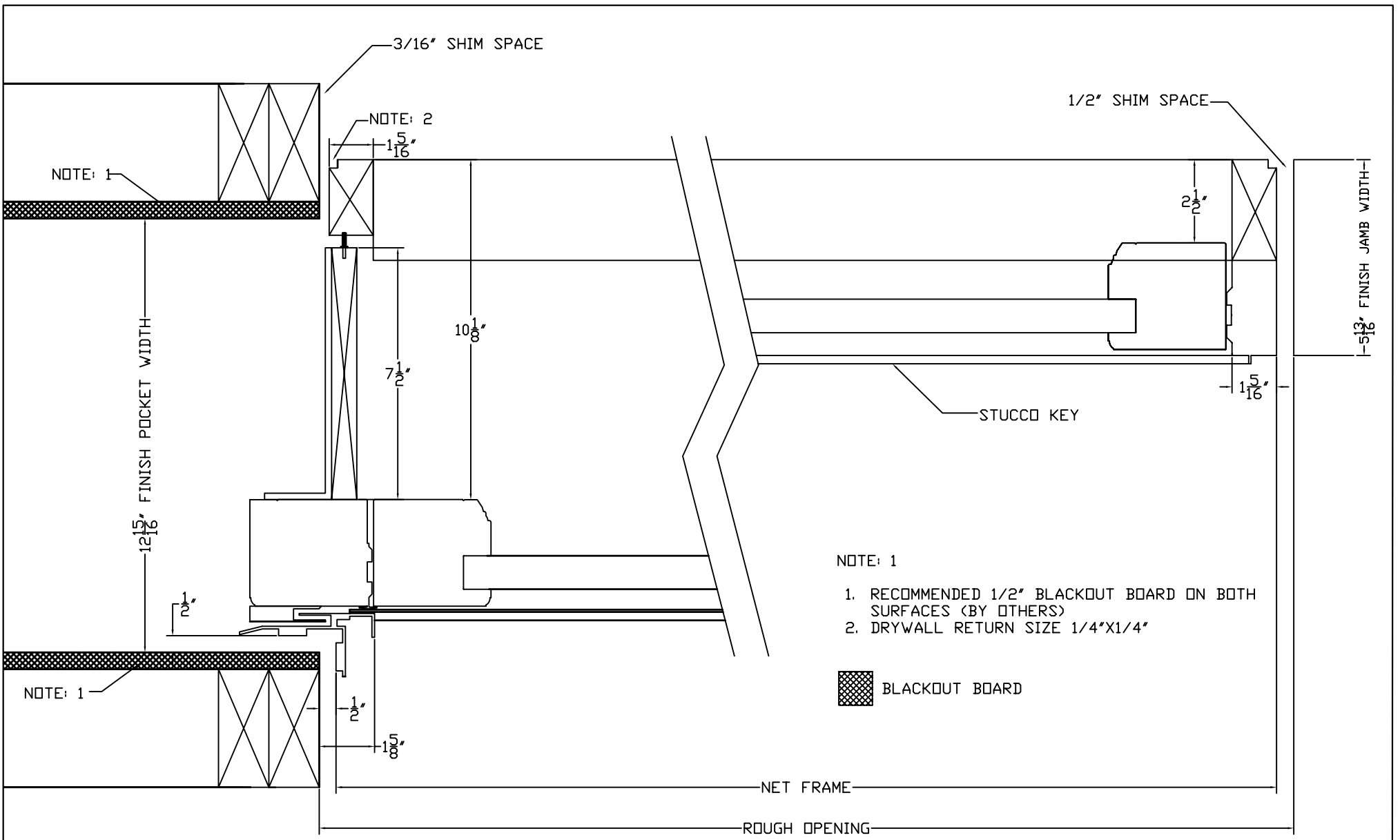
1. BLACKOUT BOARD ON BOTH INTERIOR SURFACES (BY CUSTOMER)
2. INCLUDES THICKNESS OF EXTERIOR FINISH FLOOR. FROM INTERIOR FINISH FLOOR ADD 1/4"
3. CUSTOMER IS REQUIRED TO DRY PACK TRACK DEPRESSION AFTER INSTALLATION BY DOOR CONTRACTOR
4. FINISH FLOOR BY OTHERS
5. DRYWALL RETURN SIZE 1/4"X1/4"
6. SEE SYSTEM ELEVATION DRAWING FOR ROUGH OPENING DIMENSIONS



STANDARD DETAIL FOR INFORMATION ONLY

				<b>SLIDING VISIONS</b>			TITLE PXXX 1 1/2" TRACK			
							DWN BY: AR		SCALE: NONE	REV.
0				APPROVED FOR CONSTRUCTION			DATE: 10-16-06		DWG. NO. OVLS-D-015	0
NO.	DATE	DESCRIPTION		BY			CHK. BY:	SHT. 1 OF 1		
							APPD. BY:			

\*\*\* All diagrams, drawings and other documents produced by Sliding Visions, Inc. are the sole property of Sliding Visions, Inc and under penalty of law, neither these documents nor the information they convey may be reproduced or transmitted to any third party without written consent.



- NOTE: 1
1. RECOMMENDED 1/2" BLACKOUT BOARD ON BOTH SURFACES (BY OTHERS)
  2. DRYWALL RETURN SIZE 1/4"x1/4"

 BLACKOUT BOARD

STANDARD DETAIL FOR INFORMATION ONLY

				TITLE		
				PXXX POCKET DETAIL		
				DWN BY: AR	SCALE: NONE	REV.
0		APPROVED FOR CONSTRUCTION		DATE: 10-16-06	DWG. NO. OVLS-D-051	0
NO.	DATE	DESCRIPTION	BY	CHK. BY:	SHT. 1 OF 1	
				APPD. BY:		

\*\*\* All diagrams, drawings and other documents produced by Sliding Visions, Inc. are the sole property of Sliding Visions, Inc and under penalty of law, neither these documents nor the information they convey may be reproduced or transmitted to any third party without written consent.