

EXTERIOR ELEVATION

CUSTOMER APPROVAL BLOCK

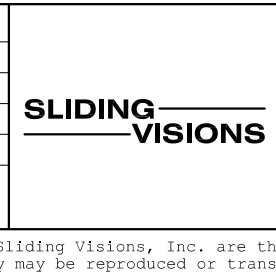
APPROVED

APPROVED AS NOTED

DISAPPROVED RESUBMIT

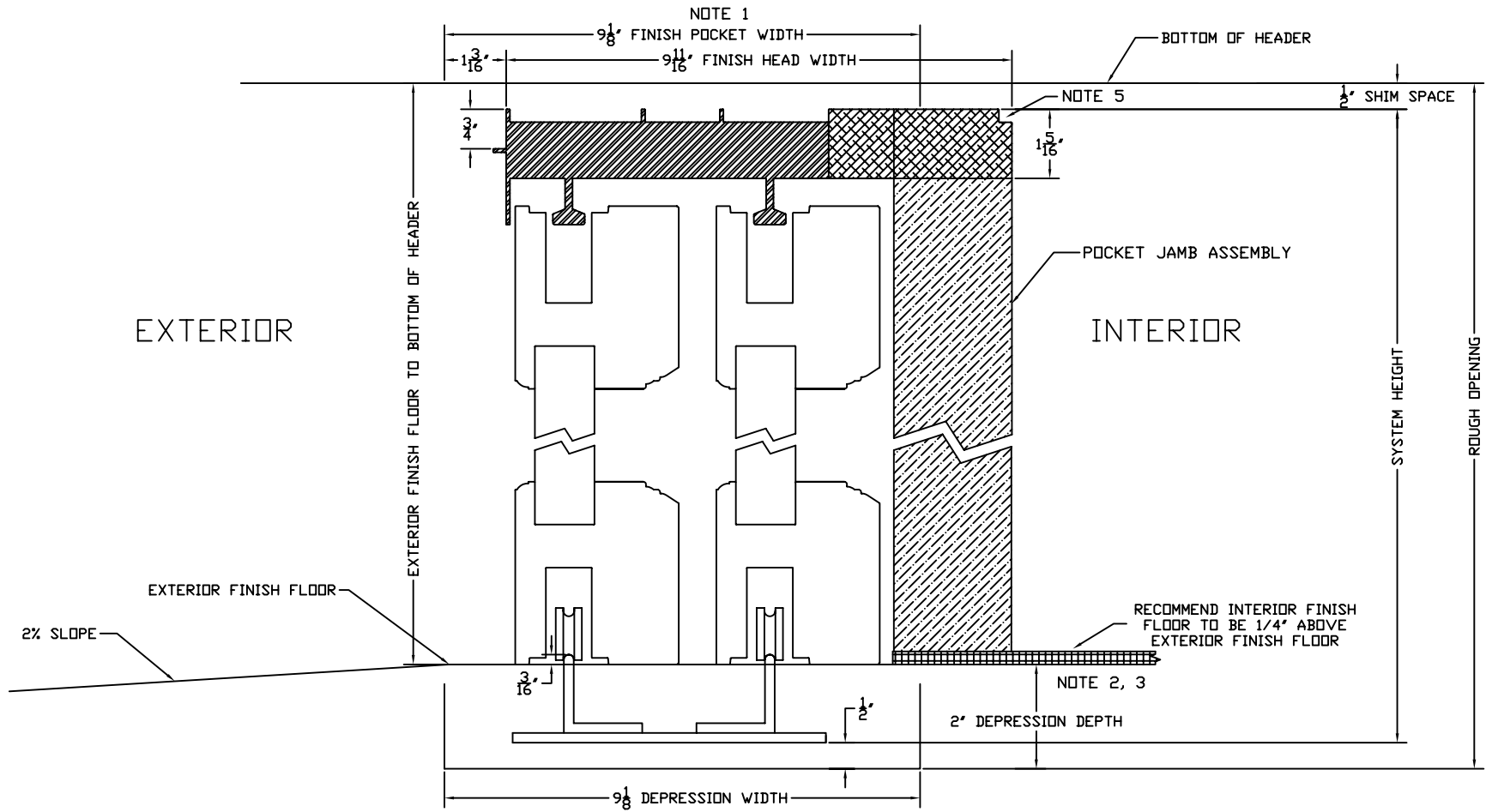
SIGNED _____ DATE _____

NO.	DATE	DESCRIPTION	BY
0	10-06	APPROVED FOR CONSTRUCTION	CMP



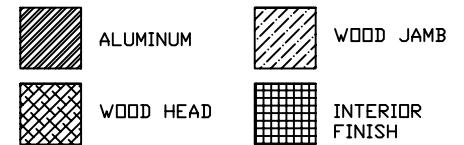
TITLE		PXX 1 1/2" TRACK	
		ARCHITECTURAL COLLECTION	
DWN BY: AR	SCALE: NONE	REV.	
DATE: 02/13/07	DWG. NO.	0	
CHK. BY: CMP	ALS-058		
APPD. BY: CMP	SHT. 1	OF 1	

*** All diagrams, drawings and other documents produced by Sliding Visions, Inc. are the sole property of Sliding Visions, Inc and under penalty of law, neither these documents nor the information they convey may be reproduced or transmitted to any third party without written consent.



NOTES:

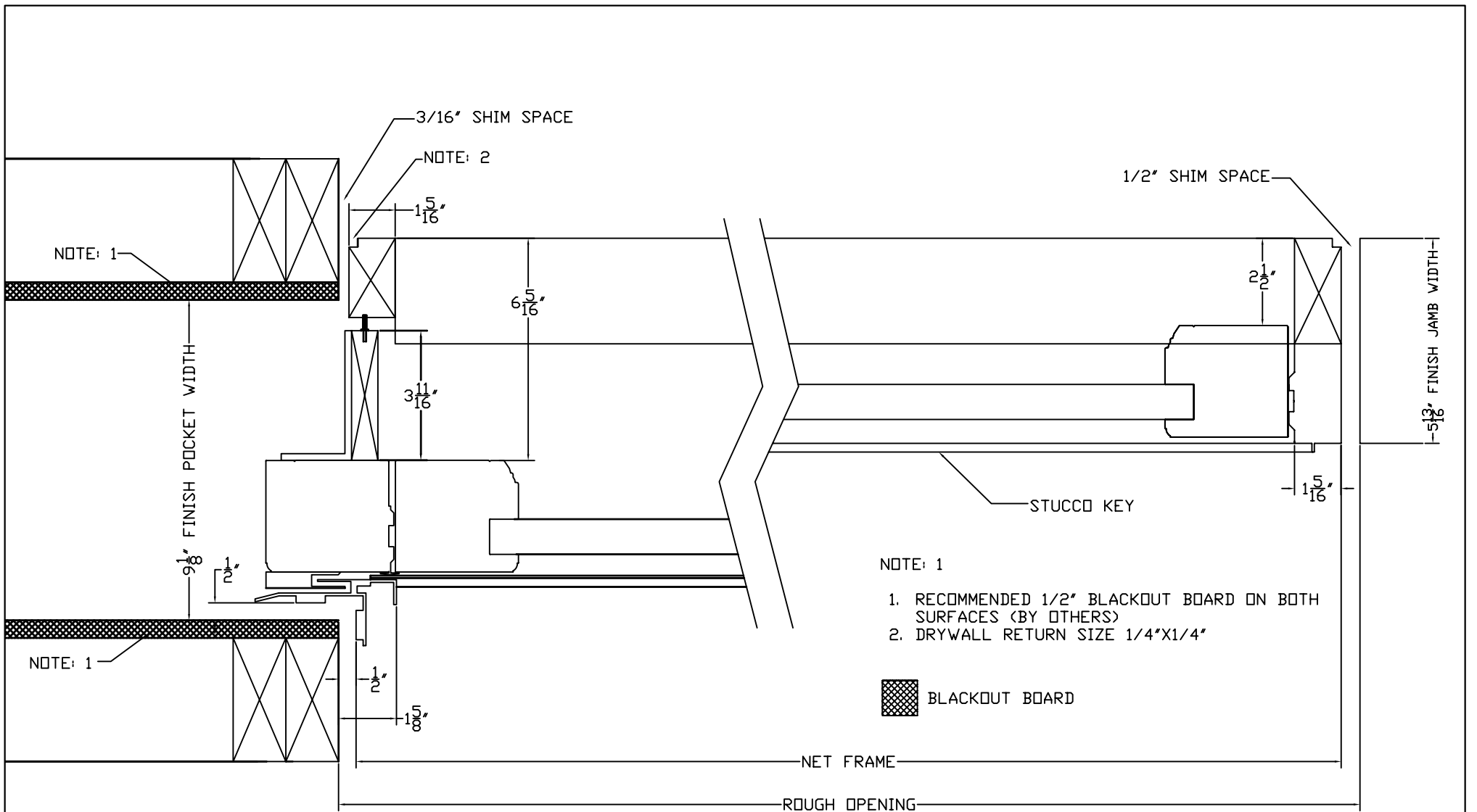
1. BLACKOUT BOARD ON BOTH INTERIOR SURFACES (BY CUSTOMER)
2. INCLUDES THICKNESS OF EXTERIOR FINISH FLOOR. FROM INTERIOR FINISH FLOOR ADD 1/4"
3. CUSTOMER IS REQUIRED TO DRY PACK TRACK DEPRESSION AFTER INSTALLATION BY DOOR CONTRACTOR
4. FINISH FLOOR BY OTHERS
5. DRYWALL RETURN SIZE 1/4"x1/4"
6. SEE SYSTEM ELEVATION DRAWING FOR ROUGH OPENING DIMENSIONS



STANDARD DETAIL FOR INFORMATION ONLY

				TITLE		
				PXX 1 1/2" TRACK		
				DWN BY: AR		SCALE: NONE
				DATE: 10-16-06		REV.
				CHK. BY:		DWG. NO.
				APPD. BY:		OVLS-D-014
				SHT. 1		OF 1
0		APPROVED FOR CONSTRUCTION		SLIDING VISIONS		
NO.	DATE	DESCRIPTION	BY			

*** All diagrams, drawings and other documents produced by Sliding Visions, Inc. are the sole property of Sliding Visions, Inc and under penalty of law, neither these documents nor the information they convey may be reproduced or transmitted to any third party without written consent.



STANDARD DETAIL FOR
INFORMATION ONLY

				TITLE PXX POCKET DETAIL	
				SLIDING VISIONS	
		APPROVED FOR CONSTRUCTION		DWN BY: AR	
				DATE: 10-16-06	
				CHK. BY:	
				APPD. BY:	
				SCALE: NONE	
				DWG. NO. OVLS-D-050	
				SHT. 1 OF 1	
				0	

*** All diagrams, drawings and other documents produced by Sliding Visions, Inc. are the sole property of Sliding Visions, Inc and under penalty of law, neither these documents nor the information they convey may be reproduced or transmitted to any third party without written consent.