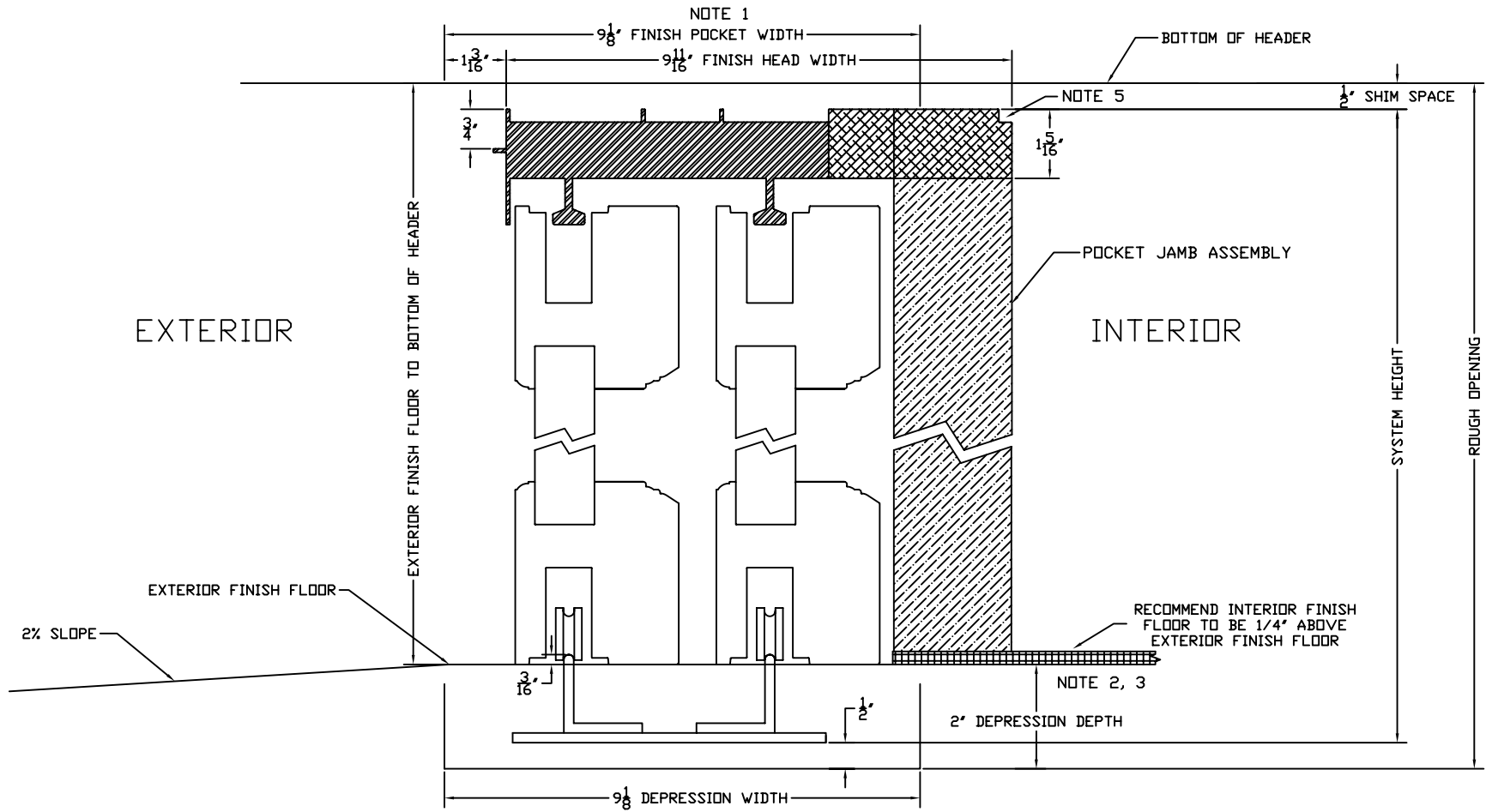


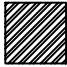


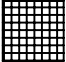
EXTERIOR ELEVATION

CUSTOMER APPROVAL BLOCK				SLIDING VISIONS	TITLE PXX 1 1/2" TRACK		
<input type="checkbox"/> APPROVED <input type="checkbox"/> APPROVED AS NOTED <input type="checkbox"/> DISAPPROVED RESUBMIT					ARCHITECTURAL COLLECTION		
					DWN BY: AR	SCALE: NONE	REV.
					DATE: 02/13/07	DWG. NO.	0
					CHK. BY: CMP	ALS-060	
SIGNED _____ DATE _____				APPD. BY: CMP	SHT. 1 OF 1		
*** All diagrams, drawings and other documents produced by Sliding Visions, Inc. are the sole property of Sliding Visions, Inc and under penalty of law, neither these documents nor the information they convey may be reproduced or transmitted to any third party without written consent.							



NOTES:

1. BLACKOUT BOARD ON BOTH INTERIOR SURFACES (BY CUSTOMER)
2. INCLUDES THICKNESS OF EXTERIOR FINISH FLOOR. FROM INTERIOR FINISH FLOOR ADD 1/4"
3. CUSTOMER IS REQUIRED TO DRY PACK TRACK DEPRESSION AFTER INSTALLATION BY DOOR CONTRACTOR
4. FINISH FLOOR BY OTHERS
5. DRYWALL RETURN SIZE 1/4"x1/4"
6. SEE SYSTEM ELEVATION DRAWING FOR ROUGH OPENING DIMENSIONS

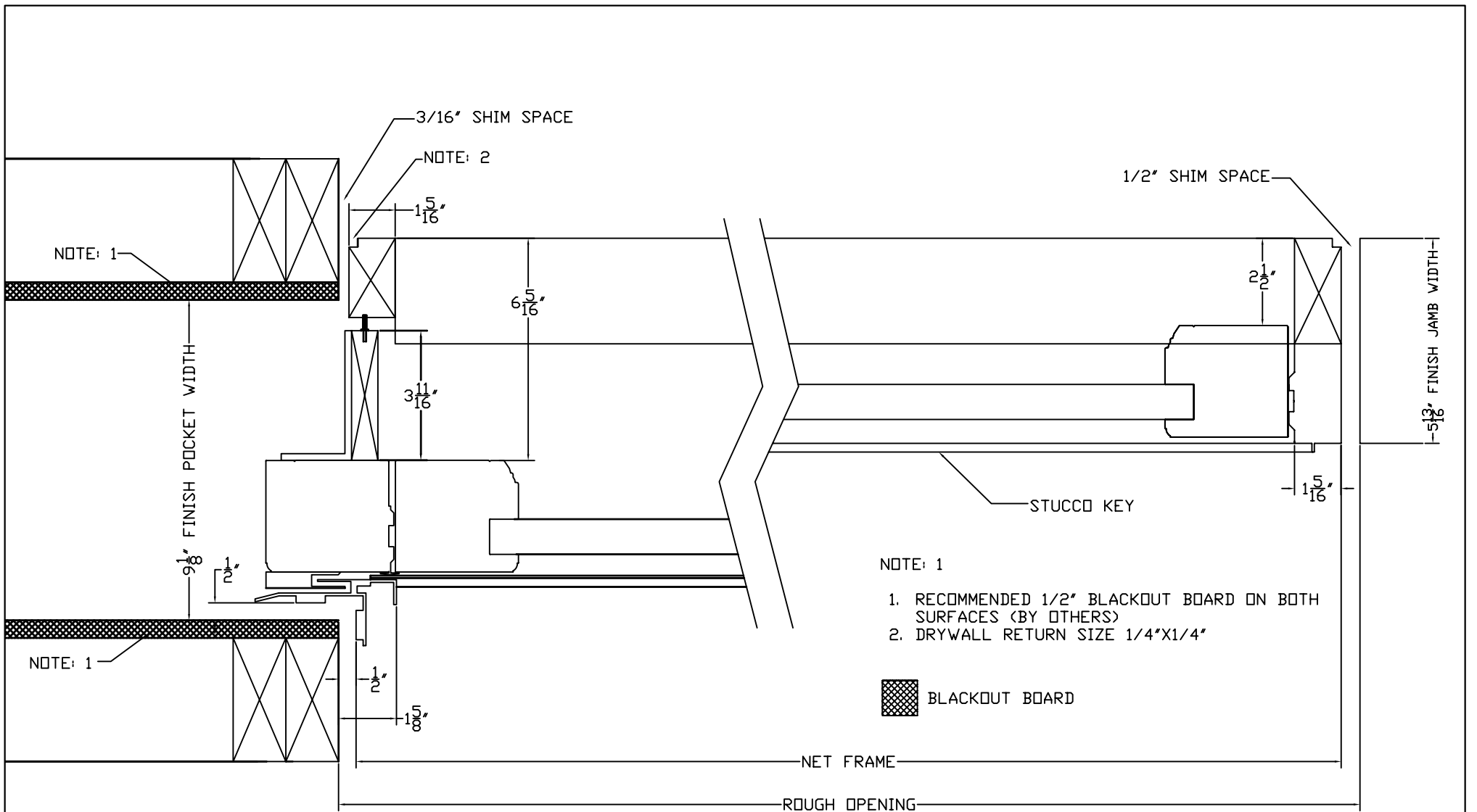
	ALUMINUM		WOOD JAMB
	WOOD HEAD		INTERIOR FINISH

STANDARD DETAIL FOR INFORMATION ONLY

				TITLE		
				PXX 1 1/2" TRACK		
				DWN BY: AR		SCALE: NONE
				DATE: 10-16-06		DWG. NO.
				CHK. BY:		OVLS-D-014
				APPD. BY:		SHT. 1 OF 1
				REV.		
				0		

SLIDING VISIONS

*** All diagrams, drawings and other documents produced by Sliding Visions, Inc. are the sole property of Sliding Visions, Inc and under penalty of law, neither these documents nor the information they convey may be reproduced or transmitted to any third party without written consent.



STANDARD DETAIL FOR
INFORMATION ONLY

				SLIDING VISIONS		TITLE PXX POCKET DETAIL		
						DWN BY: AR	SCALE: NONE	REV.
						DATE: 10-16-06	DWG. NO. OVLS-D-050	0
						CHK. BY:		
NO.	DATE	DESCRIPTION	BY			APPD. BY:	SHT. 1 OF 1	

*** All diagrams, drawings and other documents produced by Sliding Visions, Inc. are the sole property of Sliding Visions, Inc and under penalty of law, neither these documents nor the information they convey may be reproduced or transmitted to any third party without written consent.