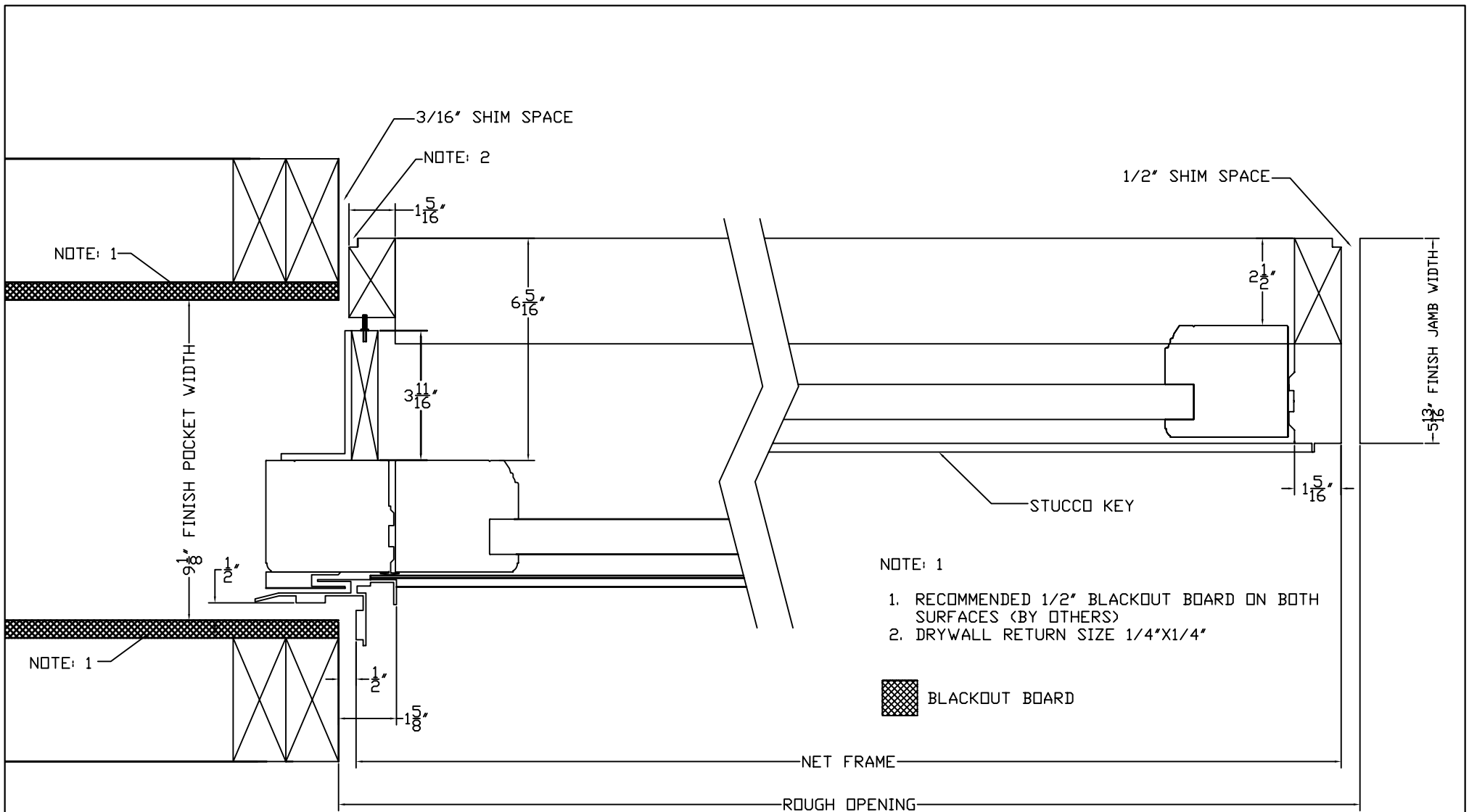


EXTERIOR ELEVATION

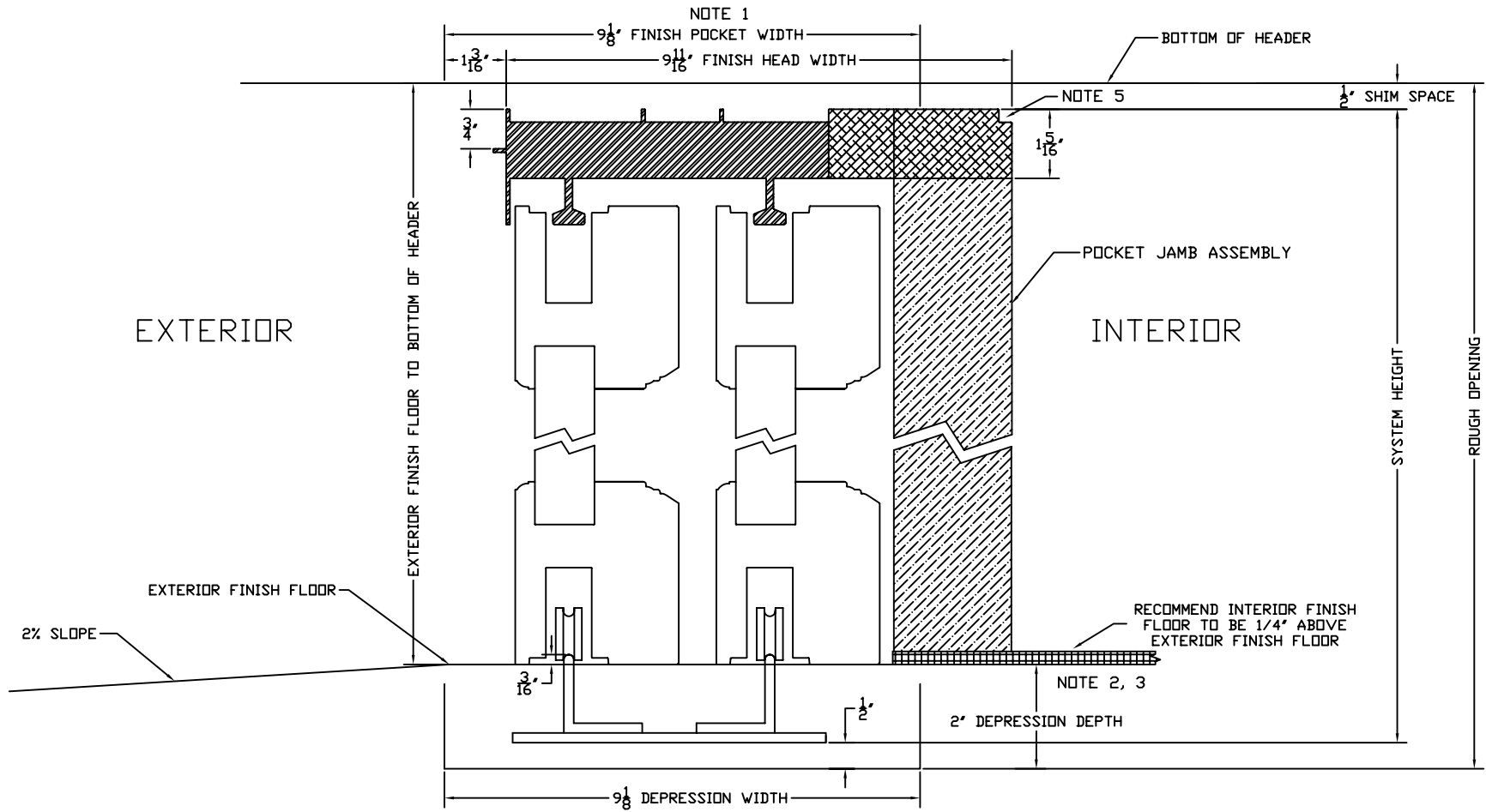
CUSTOMER APPROVAL BLOCK						TITLE PXX 1 1/2" TRACK				
<input type="checkbox"/> APPROVED <input type="checkbox"/> APPROVED AS NOTED <input type="checkbox"/> DISAPPROVED RESUBMIT						ARCHITECTURAL COLLECTION				
						DWN BY: AR		SCALE: NONE	REV. 0	
						DATE: 02/13/07		DWG. NO. ALS-001		
NO. DATE		DESCRIPTION		BY		CHK. BY: CMP		APPD. BY: CMP	SHT. 1 OF 1	
0 10-06		APPROVED FOR CONSTRUCTION		CMP						
SIGNED _____		DATE _____		*** All diagrams, drawings and other documents produced by Sliding Visions, Inc. are the sole property of Sliding Visions, Inc and under penalty of law, neither these documents nor the information they convey may be reproduced or transmitted to any third party without written consent.						



STANDARD DETAIL FOR
INFORMATION ONLY

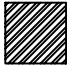


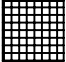
				TITLE PXX POCKET DETAIL	
				SLIDING VISIONS	
		APPROVED FOR CONSTRUCTION		DWN BY: AR	
				DATE: 10-16-06	
				SCALE: NONE	
				DWG. NO.	
				OVLS-D-050	
				CHK. BY:	
				APPD. BY:	
				SHT. 1 OF 1	
				REV.	
				0	

*** All diagrams, drawings and other documents produced by Sliding Visions, Inc. are the sole property of Sliding Visions, Inc and under penalty of law, neither these documents nor the information they convey may be reproduced or transmitted to any third party without written consent.



NOTES:

1. BLACKOUT BOARD ON BOTH INTERIOR SURFACES (BY CUSTOMER)
2. INCLUDES THICKNESS OF EXTERIOR FINISH FLOOR. FROM INTERIOR FINISH FLOOR ADD 1/4"
3. CUSTOMER IS REQUIRED TO DRY PACK TRACK DEPRESSION AFTER INSTALLATION BY DOOR CONTRACTOR
4. FINISH FLOOR BY OTHERS
5. DRYWALL RETURN SIZE 1/4"x1/4"
6. SEE SYSTEM ELEVATION DRAWING FOR ROUGH OPENING DIMENSIONS

	ALUMINUM		WOOD JAMB
	WOOD HEAD		INTERIOR FINISH

STANDARD DETAIL FOR INFORMATION ONLY

				SLIDING VISIONS			TITLE PXX 1 1/2" TRACK			
						DWN BY: AR		SCALE: NONE		REV.
0		APPROVED FOR CONSTRUCTION				DATE: 10-16-06		DWG. NO. OVLS-D-014		0
NO.	DATE	DESCRIPTION	BY			CHK. BY:		SHT. 1 OF 1		
						APPD. BY:				

*** All diagrams, drawings and other documents produced by Sliding Visions, Inc. are the sole property of Sliding Visions, Inc and under penalty of law, neither these documents nor the information they convey may be reproduced or transmitted to any third party without written consent.