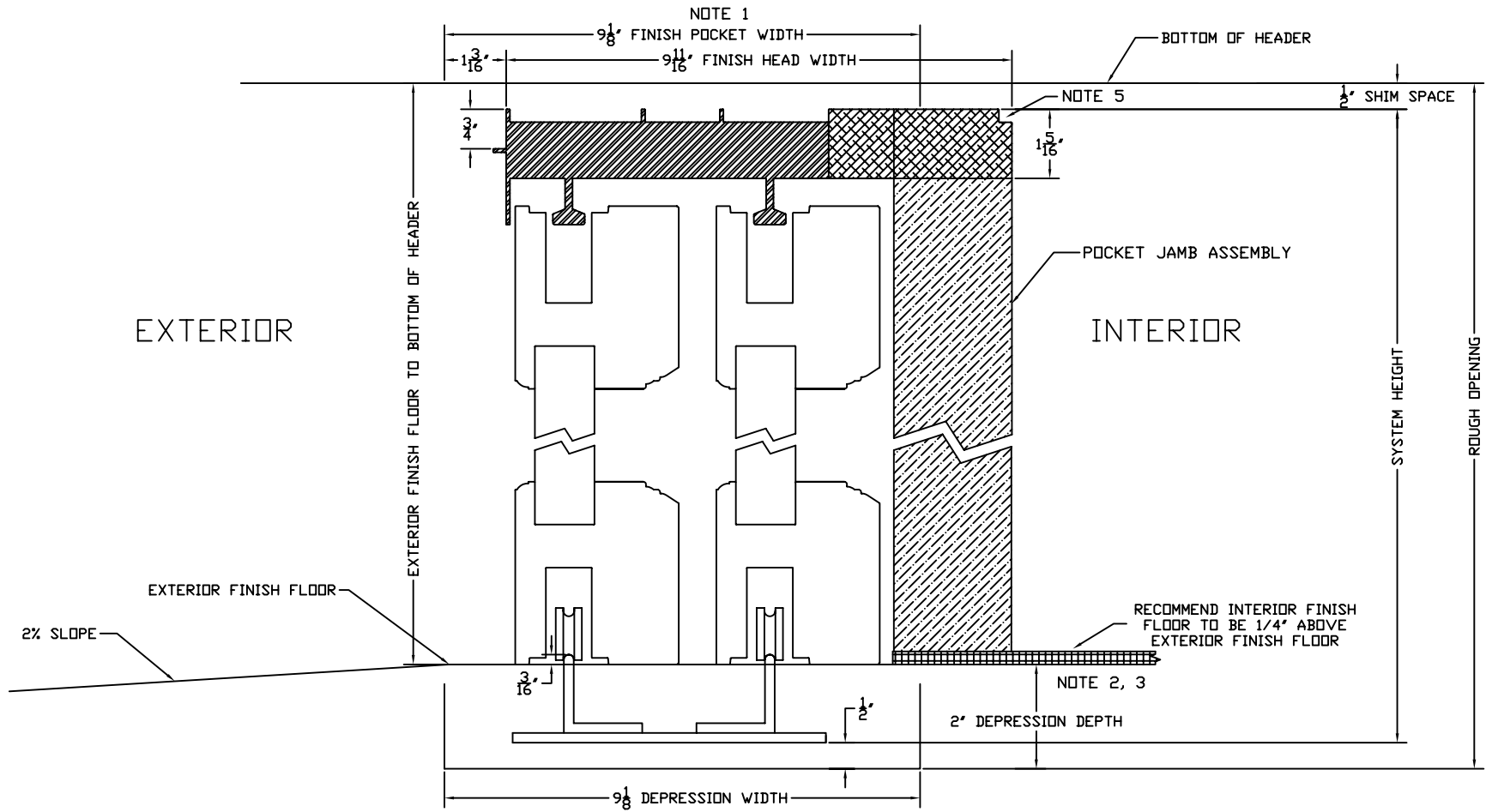


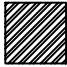


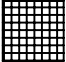
EXTERIOR ELEVATION

CUSTOMER APPROVAL BLOCK						TITLE PXX 1 1/2" TRACK					
<input type="checkbox"/> APPROVED <input type="checkbox"/> APPROVED AS NOTED <input type="checkbox"/> DISAPPROVED RESUBMIT						ARCHITECTURAL COLLECTION					
0		10-06				APPROVED FOR CONSTRUCTION		DWN BY: AR		SCALE: NONE	REV.
NO.		DATE				DESCRIPTION		BY		DATE: 02/13/07 DWG. NO. ALS-004 CHK. BY: CMP APPD. BY: CMP	
SIGNED _____ DATE _____				*** All diagrams, drawings and other documents produced by Sliding Visions, Inc. are the sole property of Sliding Visions, Inc and under penalty of law, neither these documents nor the information they convey may be reproduced or transmitted to any third party without written consent.		SHT. 1		OF 1		0	



NOTES:

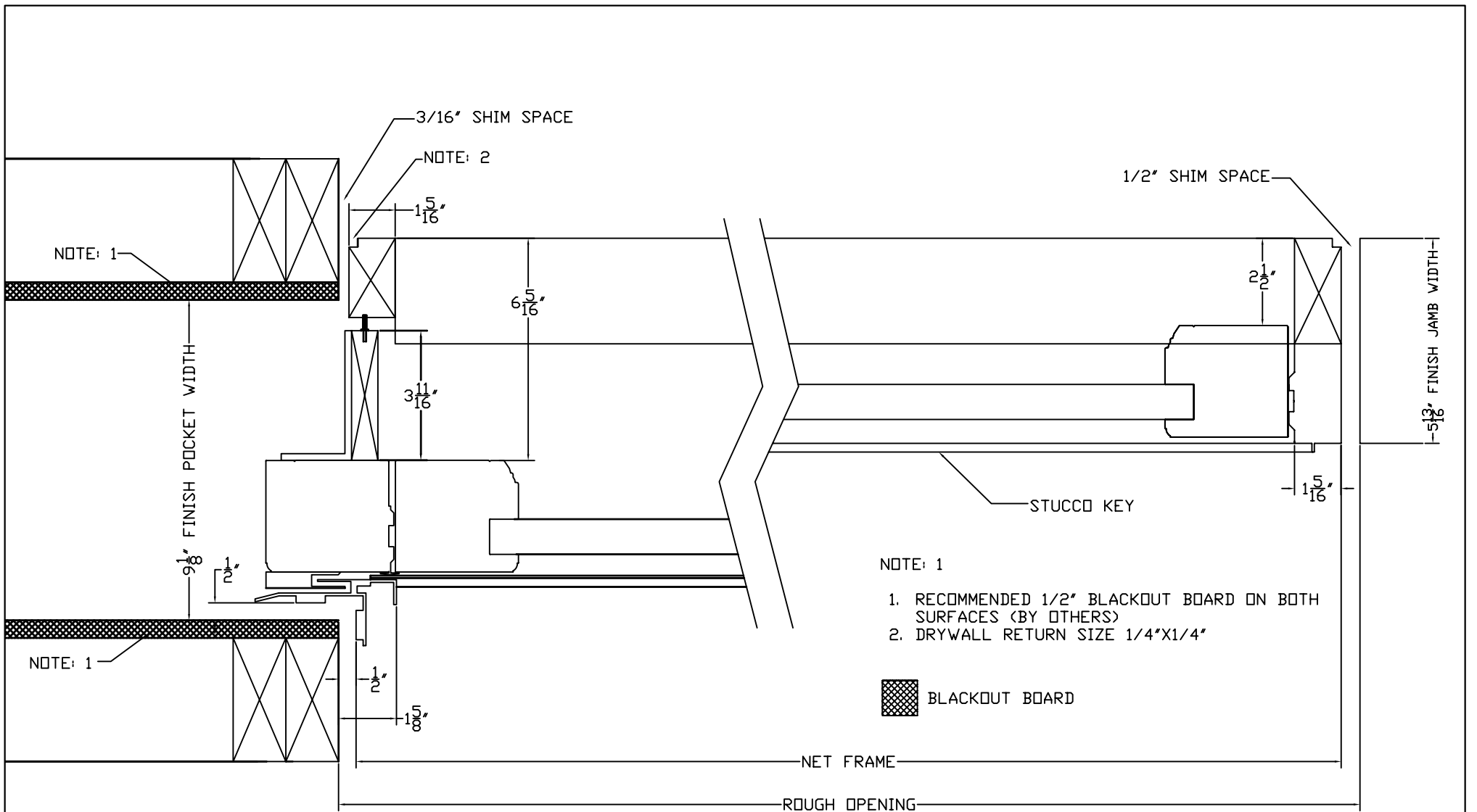
1. BLACKOUT BOARD ON BOTH INTERIOR SURFACES (BY CUSTOMER)
2. INCLUDES THICKNESS OF EXTERIOR FINISH FLOOR. FROM INTERIOR FINISH FLOOR ADD 1/4"
3. CUSTOMER IS REQUIRED TO DRY PACK TRACK DEPRESSION AFTER INSTALLATION BY DOOR CONTRACTOR
4. FINISH FLOOR BY OTHERS
5. DRYWALL RETURN SIZE 1/4"x1/4"
6. SEE SYSTEM ELEVATION DRAWING FOR ROUGH OPENING DIMENSIONS

	ALUMINUM		WOOD JAMB
	WOOD HEAD		INTERIOR FINISH

STANDARD DETAIL FOR INFORMATION ONLY

				<b>SLIDING VISIONS</b>		TITLE <b>PXX 1 1/2" TRACK</b>	
				DWN BY: AR		SCALE: NONE	
				DATE: 10-16-06		DWG. NO. <b>OVLS-D-014</b>	
				CHK. BY:		<b>0</b>	
				APPD. BY:			
NO.	DATE	DESCRIPTION	BY			SHT. 1	OF 1

\*\*\* All diagrams, drawings and other documents produced by Sliding Visions, Inc. are the sole property of Sliding Visions, Inc and under penalty of law, neither these documents nor the information they convey may be reproduced or transmitted to any third party without written consent.



STANDARD DETAIL FOR INFORMATION ONLY

				<b>SLIDING VISIONS</b>		TITLE PXX POCKET DETAIL		
						DWN BY: AR	SCALE: NONE	REV.
						DATE: 10-16-06	DWG. NO. OVLS-D-050	0
						CHK. BY:		
NO.	DATE	DESCRIPTION	BY			APPD. BY:	SHT. 1 OF 1	

\*\*\* All diagrams, drawings and other documents produced by Sliding Visions, Inc. are the sole property of Sliding Visions, Inc and under penalty of law, neither these documents nor the information they convey may be reproduced or transmitted to any third party without written consent.